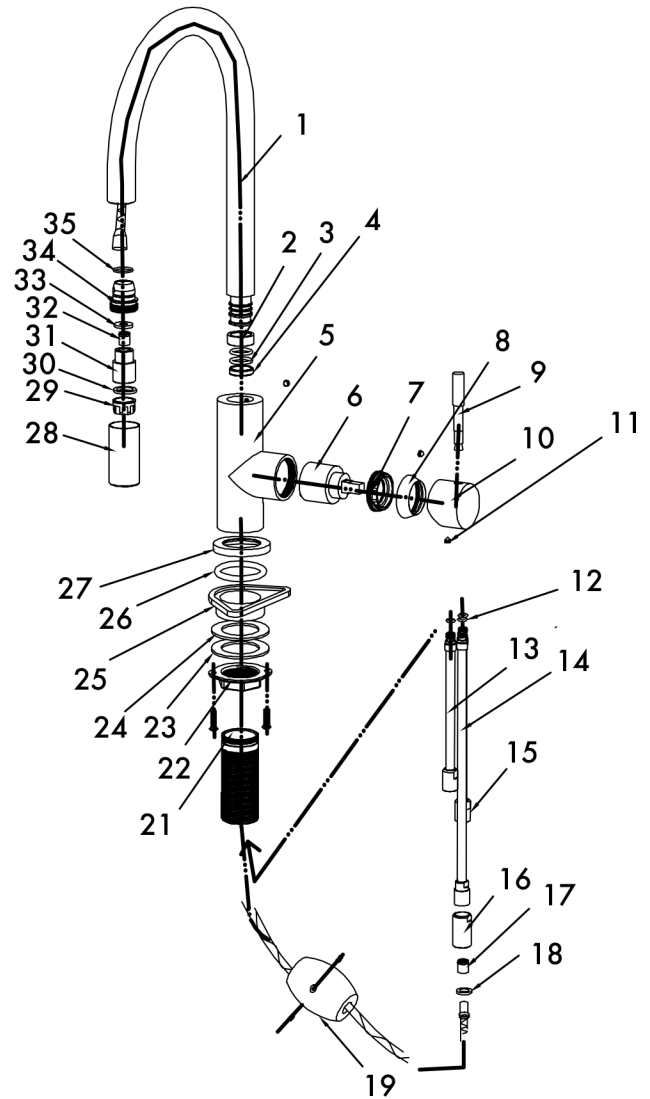




DIAGRAM NUMBER	DAX SKU	TITLE DESCRIPTION
1	0 039	Type pull the leading tube
2	0 172	Plastic ring
3		Plastic ring 21.3 * 16 * 2.65
4	0 175	Plastic ring
5	0 176	T-type pull the main body
6		Spool-K35-A
7	0 165	Gland
8	0 166	Decorated cover
9	0 174C	Handle bar
10	00 173	Handle
11		M5 * 5 Hexagon set screws
12		Rubber O 5 * 2 9 *
13	0 034	T-type pull the faucet into the water pipe 115 long
14	0 037	T-type pull the faucet into the water pipe 225 long
15	0 035	T-type pull the faucet into the water pipe 150 long
16	0 187	Fast nuts
17		Check valve 30.4010.0.0002 DW10 DN6
18		Flat rubber 14 * 8.5 * 2
19		Weight down 600g
20		Phillips head stainless steel machine wire
21	0 170B	M34 tube
22	0 018	Large nuts M34
23	0 013	Plate
24	0 017	Rubber ring
25	0 545	Bottom fixed plastic seat
26		Gum * 37.5 * 48 O 5.25
27	0 169	Base
28	0 043B	T-type pull the faucet 28 shower shell
29		Newa mouth
30		Flat rubber * 2 21 * 15



For parts or sale requirements please contact our customer service department:

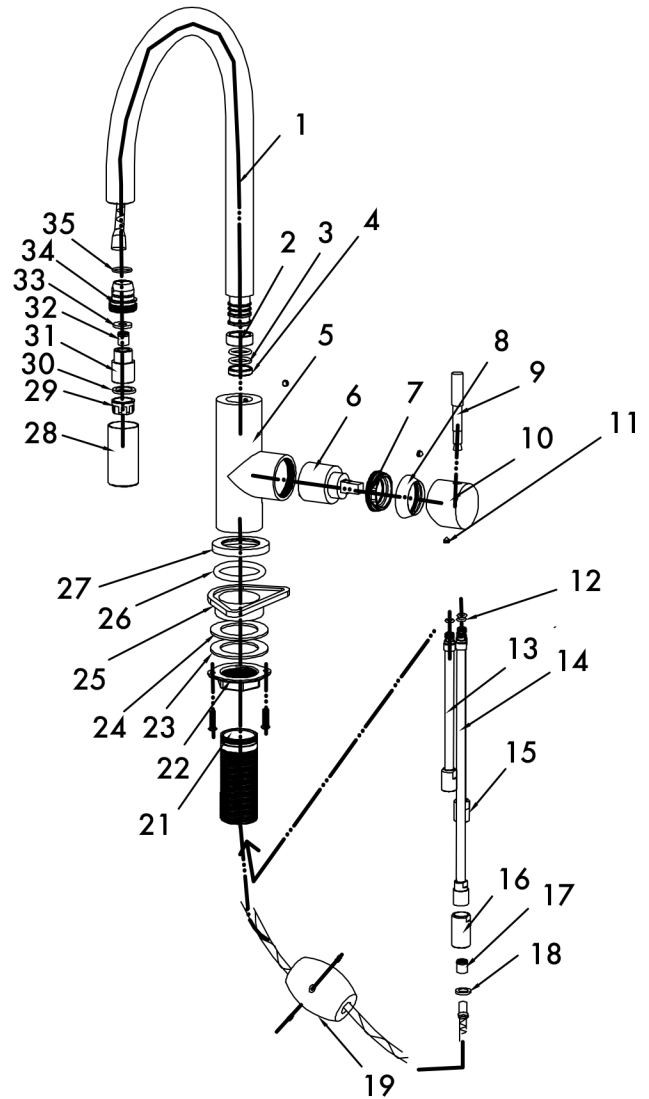
CS@daxib.com

1 888 685 8236





DIAGRAM NUMBER	DAX SKU	TITLE DESCRIPTION
31	O 042B	T-type pulling faucet 28 shower plastic core
32		Check valve 30.4010.0002 DW10 DN6
33		Flat rubber 17 * 7 * 2.2
34	O 041	Check valve
35		O gum 18.6 * 1.8 * 15



For parts or sale requirements please contact our customer service department:

 [CS@daxib.com](mailto:CS@daxib.com)

 1 888 685 8236

